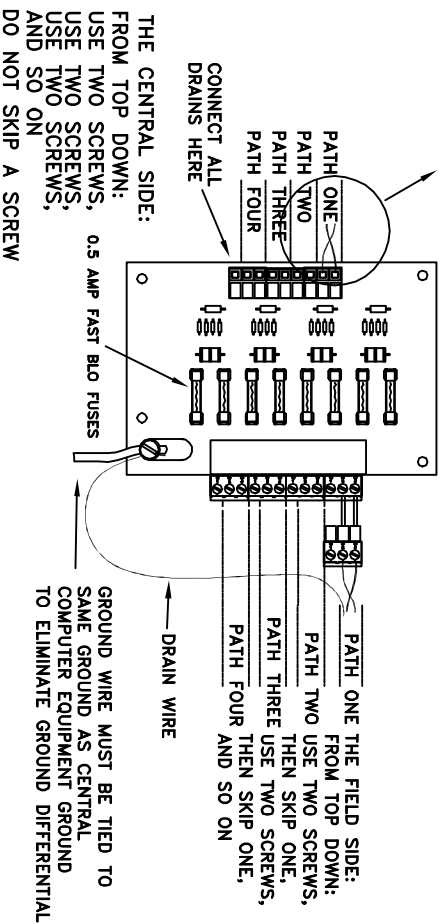


# TORO SPU HOOKUP DETAIL

SEE SURGE PROTECTION OPTION



**SATELLITE NOTE:**  
OPTIONAL SURGE PROTECTION ADDITION MAY ALSO BE INSTALLED IN MODEM CONNECTION AT SATELLITES FOR ENHANCED PROTECTION OF MODEM BOARDS AND FUSES.

# SURGE PROTECTION OPTION

SURGE PROTECTION UNIT ACCESSORY KIT TORO P/N 102-0767

1. UNPLUG THE COM WIRE CONNECTOR FROM THE SPU.
2. LOOSEN THE SET SCREW ON THE COM WIRE AND INSERT EITHER TRANSORB LEAD INTO THE CONNECTOR MAKING SURE IT IS FULLY INSERTED WITH THE WIRE. TIGHTEN THE SET SCREW SECURELY. INSTALL A TRANSORB ON EACH COM WIRE IN THIS MANNER.
3. CUT A 6" (15.25CM) LENGTH OF GROUND WIRE AND STRIP THE INSULATION 1/4" (6.4MM) FROM THE ENDS.
4. CONNECT THE REMAINING TRANSORB LEADS TO THE GROUND WIRE WITH THE WIRE CONNECTOR.
5. SECURE THE REMAINING END OF THE GROUND WIRE TO TERMINAL 1 OF THE COM WIRE CONNECTOR
6. REINSTALL THE COM WIRE CONNECTOR.

IMPORTANT! MAKE SURE THAT THE EXPOSED TRANSORB LEADS FROM THE COM WIRE TERMINALS DO NOT MAKE CONTACT.

NOTE:  
THE SURGE PROTECTION OPTION MAY OPTIONALLY BE INSTALLED ON THE FIELD SIDE OF THE SPU INSTEAD OF THE CENTRAL SIDE. IF INSTALLED ON FIELD SIDE, CONNECT COMMON WIRE TO THIRD CONNECTION.

